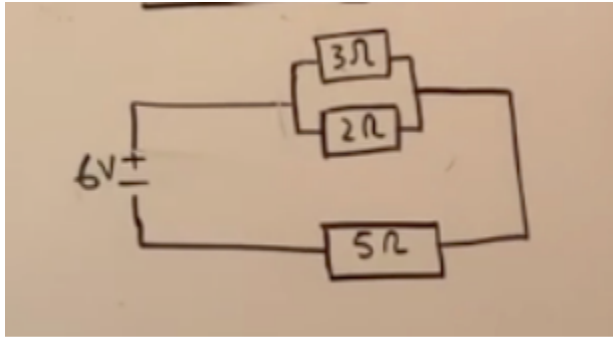


Booklet 13

Series Circuit

Flipped Classroom Assignment: Use the circuit below to find the 8 missing values in the table to the right. Key | <https://youtu.be/b1FAb0rR5KM>



	V	I	R
3Ω			3
2Ω			2
5Ω			5
T			6.2

Do Now | Video <https://youtu.be/Y78gqy8JVZI>

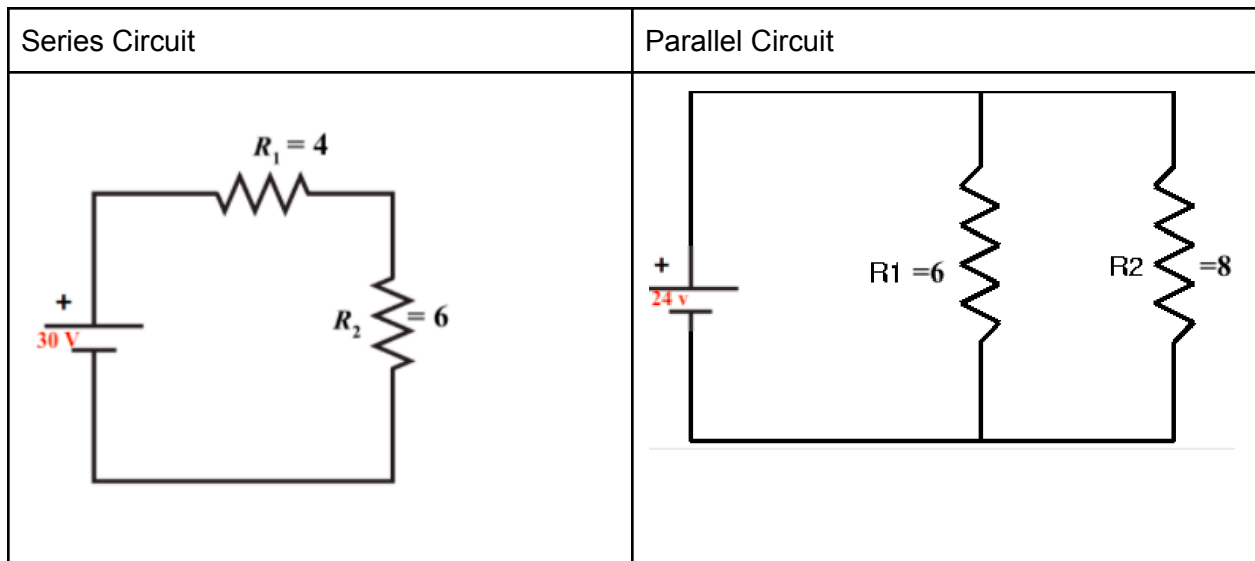
Circuit 1	Circuit 2

1. What is an electric circuit?
2. What is a voltage? SI Unit?
3. What is an electric current? SI Unit?
4. What is a Resistance? SI Unit?
5. Write equations for voltage, Current and Resistance using Ohm's Law triangle
6. Explain why diagram 1 is series and diagram 2 is a parallel circuit.

7. Write three equations for diagram 1 and three equations for diagram 2

	Series Circuit Equations	Parallel Circuit Equations
Current		
Voltage		
Resistance		

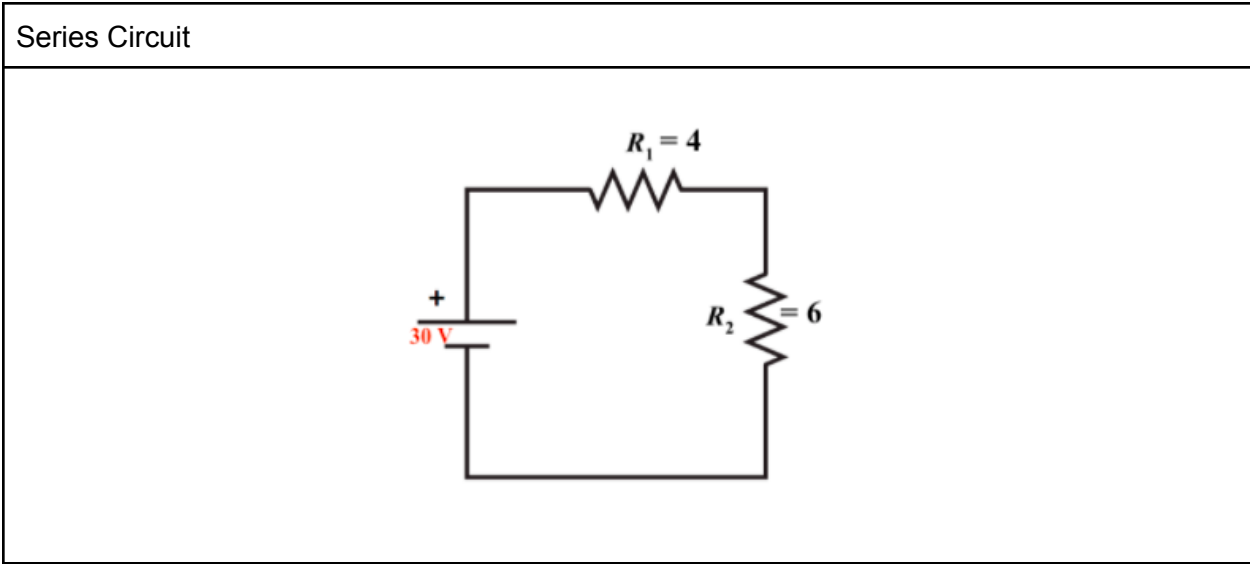
Big Idea | Key | <https://youtu.be/C1xZuToWWBo>



Series Circuit				Parallel Circuit			
	R	V	I		R	V	I
Bulb 1				Bulb 1			
Bulb 2				Bulb 2			

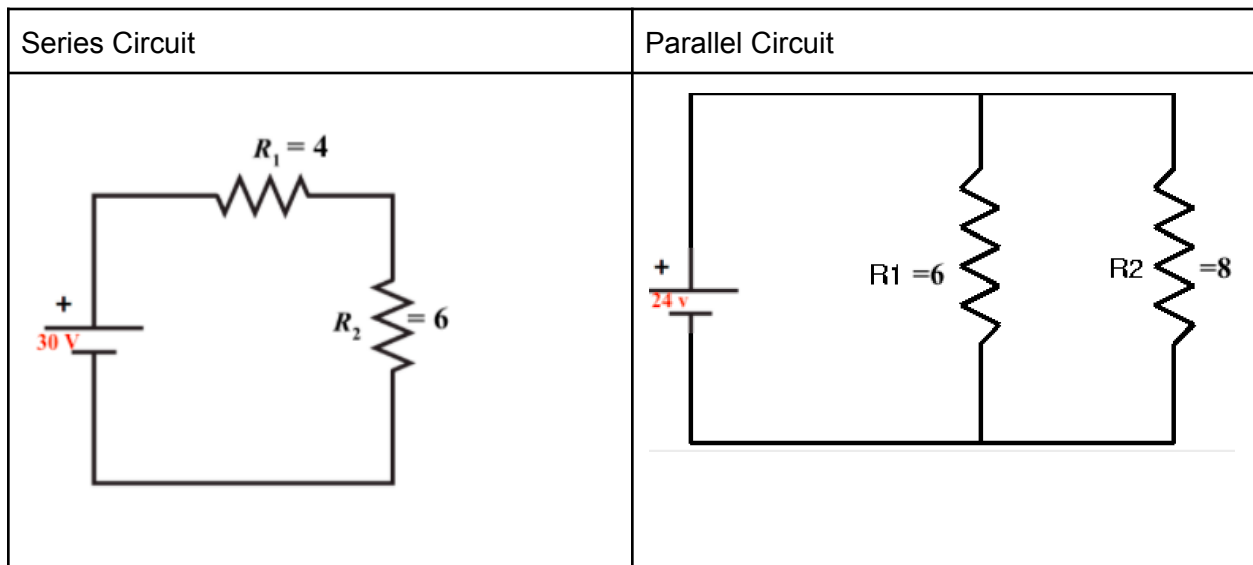
Total				Total			
-------	--	--	--	-------	--	--	--

Exit Slip | Key <https://youtu.be/HaTMs7NinIU>



Series Circuit (Use all three equations)

	Power	Power	Power
Bulb 1			
Bulb 2			
Total			



1. Turn both of them to simple circuit

2. Work backward to show voltage drops.